

## Mechanically Operated Signal Devices PB-Line

### Microswitch

The PB-module with microswitches converts the mechanical end or middle positions of the actuator into electrical signals.

Microswitches are mainly used where there are no special requirements or the working voltage should be set freely. Being a potential-free contact the switch provides a wide range of controlling possibilities.

The end positions can be adjusted over a range from 0° to 360°. It is possible to connect the sensor damped or undamped. The fully adjustable serrated cams are locked together to ensure that the adjusted setting is secured against any vibration.



#### ADVANTAGES

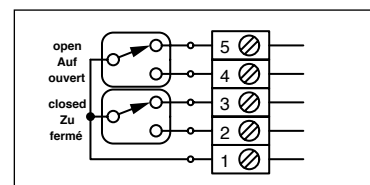
- very compact design
- wide range of use
- switching points adjustable over a range from 0° to 360°

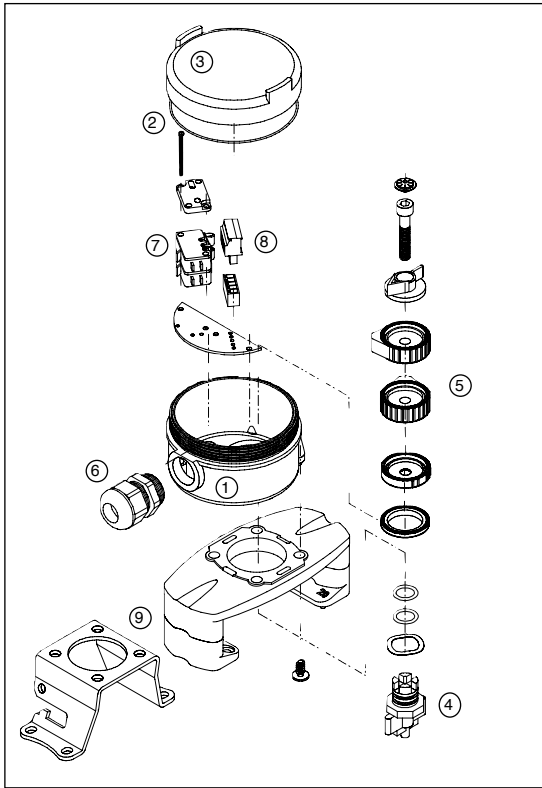
#### TECHNICAL DATA

Manufacturer:	Crouzet	Crouzet
Type:	83 161 301	83 161 801
Switched loads	16 A, 250 V ~	0.1 A, 250 V ~
acc. to UL + CSA		
Contacts:	silver-nickel	gold alloy
Mechanical life:	2 x 10 <sup>7</sup>	5 x 10 <sup>7</sup>
Sealing (Housing):	EPDM, NBR or silicon	
Ingress protection:	IP 65	IP 65
acc. to IEC 529 / DIN 40 050		
Switching precision		
of the unit:	1.5°	1.5°
Base:	Vestamid black	
Cover:	Makrolon clear, Vestamid black or high vision beacon	
Sealing (Housing):	EPDM, NBR or Silicon	
Connection:	Pluggable cable connection and cable gland M20x1,5	



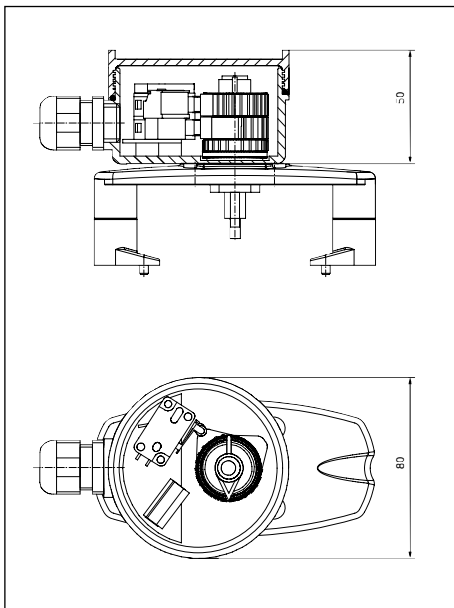
#### WIRING DIAGRAM





Pos.	Pcs.	Description	Material
1	1	Housing (base)	Vestamid
2	1	O-ring sealing	optional
3	1	Housing (cover9)	optional
4	1	TCR-axis	POM
5	1	Switch cam system	POM, A2
6	1	Cable gland	---
7	2	Microswitch	---
8	1	Terminal block, 5 poles	---
9	1	Bracket, size 1-4	A2 or PA

Brackets chapter A5



## Ordering information

PB-Modul with microswitch (without bracket)

