

Globe valves, manually operated

DIN flanges

Steel

Cast steel Econ® globe valves with stainless steel trim, pressure rating PN 25 - 40, straight and angle pattern, flanged ends acc. to DIN PN 25/40, outside screw & yoke and rising handwheel. Application: steam, hot/cold water, oil, etc. For thermal oil, the use of bellow sealed globe valves is preferred.

Material specification

Component	Material	EN and/or (DIN)	W.nr.
Body	Cast steel	GP240GH + N (GS-C25N)	1.0619 + N
Bonnet (DN 15 - 80)	Forged steel	C22G2 (C 22.8)	1.0460
Bonnet (DN 100 - 300)	Cast steel	GP240GH + N (GS-C25N)	1.0619 + N
Disc (DN 15 - 200)	Stainless steel	X20Cr13	1.4021
Disc (DN 250 - 300)	Stainless steel	- (X8CrTi18)	1.4502
Seat (DN 15 - 50)	Stainless steel	X20Cr13	1.4021
Seat (DN 65 - 300)	Stainless steel	- (X5CrNiNb19 9)	1.4551
Stem	Stainless steel	X20Cr13	1.4021
Yoke bush	Steel	- (9S20)	1.0711
Gland packing & bonnet gasket (SS insert)	Graphite		
Handwheel	Cast iron		

Pressure and temperature range

	-10/20 °C	100°	150°	200 °C	250 °C	300 °C	350 °C	400 °C	450 °C	
PN 25	25	23.3	21.7	19.4	17.8	16.1	15	14.4	13.9	[bar]
PN 40	40	37.3	34.7	30.2	28.4	25.8	24	23.1	22.2	[bar]

Options

- Regulating disc and position indicator
- Larger sizes
- Low temperature appl. (down to -60 °C)
- Balanced disc

Ordering information

Ordering code	Model	Disc type	DN [mm]	Pressure rating
417	Straight	Fixed disc	15 - 150	PN 40
417	Straight	Fixed disc	200 - 300	PN 25/40
417LK	Straight	SDNR disc with spring	15 - 150	PN 40
417LK	Straight	SDNR disc with spring	200 - 300	PN 25/40
417RK	Straight	Regulating disc	15 - 150	PN 40
417RK	Straight	Regulating disc	200 - 300	PN 25/40
418	Angle	Fixed disc	15 - 150	PN 40
418	Angle	Fixed disc	200 - 300	PN 25/40
418LK	Angle	SDNR disc with spring	15 - 150	PN 40
418LK	Angle	SDNR disc with spring	200 - 300	PN 25/40
418RK	Angle	Regulating disc	15 - 150	PN 40
418RK	Angle	Regulating disc	200 - 300	PN 25/40



Fig. 417



Fig. 418

Dimensions

DN	A	L	L1	H	H1	M	Weight		Kv Value	
							Fig. 417	Fig. 418	Fig. 417	Fig. 418
[mm]							[kg]			
15	95	130	90	189	159	120	4.8	5.2	4.2	5.2
20	105	150	95	189	159	120	5.4	7.2	7.4	9.2
25	115	160	100	203	178	140	7.1	7.4	12	15
32	140	180	105	203	178	140	8	8.4	19	24
40	150	200	115	246	221	160	11.5	12.4	31	37
50	165	230	125	254	229	160	13.5	13.6	47	58
65	185	290	145	293	263	180	23.5	20	77	96
80	200	310	155	322	297	200	28	25	120	150
100	235	350	175	381	336	225	40	34	188	235
125	270	400	200	427	387	250	61	53	288	360
150	300	480	225	521	466	400	84	70	410	510
200	375	600	275	643	588	520	170	148	725	905
250	450	730	325	780	690	520	283	188	1145	1430
300	515	850	375	890	785	520	414	327	1635	2040

ECONOSTO®



econ®

Pres. rating PN 25 - 40 Stainless steel trim

- fig. 417
- fig. 417LK
- fig. 417RK
- fig. 418
- fig. 418LK
- fig. 418RK
- DN 15 - 300
- Max. 450 °C
- General use
- Face To Face EN 558-1, 1 (DIN 3202-F1)
- Straight and angle pattern
- Fixed disc, screw-down non-return disc with spring, regulating disc
- Certified material

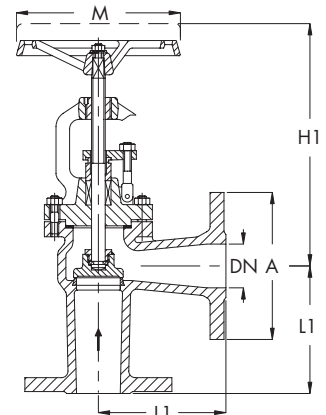


Fig. 418

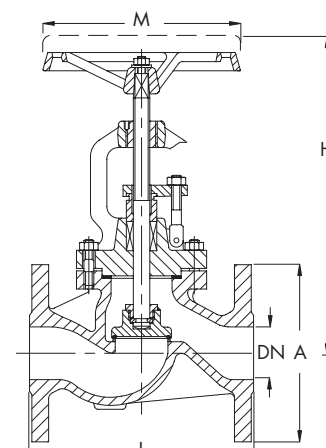


Fig. 417