

**APLICACIONES:**

Esta ventosa está indicada para evacuar el aire de las tuberías en las redes de distribución de agua.

**APPLICATIONS:**

The air ball vent is especially suitable for water distributions networks due to its purging and bleeding of great quantities of air on a continuous.

**OPCIONES:**

Sobre pedido las ventosas pueden fabricarse:

- Para diámetros superiores.
- En otro tipo de materiales.

**OPTIONS:**

On demand the air ball vent can be manufactured:

- For superior diameters.
- In others types of materials.

Nº	DENOMINACIÓN NAME	MATERIAL MATERIAL	CANT. QTY.	NORMA NORM
1	<b>CUERPO</b> BODY	Fundición gris Cast iron	1	EN-GJL-250 GG-25
2	<b>FLOTADOR</b> BALL	Poliuretano Polyurethane	1	-
3	<b>JUNTA CIERRE</b> SEALING JOINT	Goma Rubber	1	-
4	<b>TAPA</b> BONNET	Fundición gris Cast iron	1	EN-GJL-250 GG-25
5	<b>TORNILLOS</b> SCREWS	Acero 6.8 Zn Steel 6.8 Zn	Según DN	EN-24017



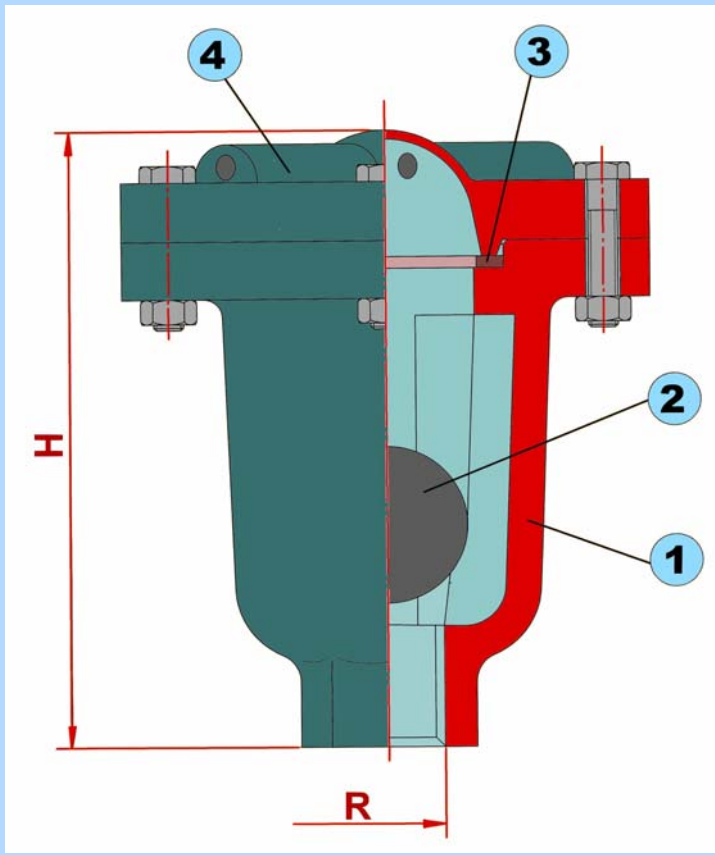
# VENTOSA SIMPLE FIG.25

AIR BALL VENT

## DIMENSIONES DIMENSIONS

FIG.25	R"	H mm.	Peso (Kg) Weight
	3/4"	125	3
1"	125	3	

Nº	DENOMINACIÓN NAME
1	CUERPO BODY
2	FLOTADOR BALL
3	JUNTA CIERRE SEALING JOINT
4	TAPA BONNET



The diagram shows a cross-section of the Air Ball Vent. It consists of a main body (1) with a ball float (2) inside. A sealing joint (3) is located at the top of the body, and a bonnet (4) covers the top. The height of the body is labeled as H, and the radius of the top part is labeled as R.