

# Forged Globe Valves Class 150/300

## Fig. G150RF & G300RF

Size 1/2" – 2" (DN 15 – 50)

**Index**

# FIG. G150RF

# FIG. G300RF

# GLOBE VALVE

BS 5352, ASME B16.34  
Connections according to:  
ASME B16.5  
CE

Authorized Distributor

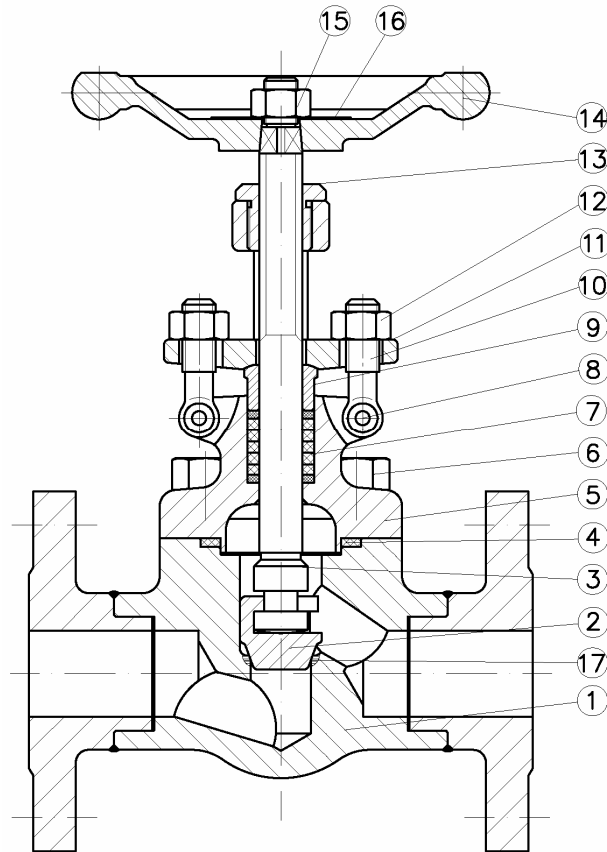


# Forged Globe Valves Class 150/300

## Fig. G150RF & G300RF

### Parts and Materials

#### Parts and materials



Item	Description	Material	
		Carbon Steel	Stainless Steel
1	Body	A 105	A 182 F316L
2	Disc	AISI 420 + STL	A 182 F316L
3	Stem	AISI 410	A 182 F316L
4	Gasket	AISI 304 + Graphite	AISI 316 + Graphite
5	Bonnet	A 105	A 182 F316L
6	Bolt	A 193 B7	A 193 B8M
7	Packing	Flexible Graphite + Carbon Fibre	
8	Pin	AISI 420	AISI 304
9	Packing Gland	AISI 420	AISI 316L
10	Eye Bolt	A 193 B8	A 193 B8M
11	Gland Flange	A 105	A 182 F316L
12	Hex Nut	A 194 8	A 194 8M
13	Yoke Nut	AISI 410	
14	Handw heel	A 197	
15	Hex Nut	1035 Zinc Plated	
16	Nameplate	Aluminium	
17	Seat	A 105 + STL	A 182 F316L + STL

Authorized Distributor

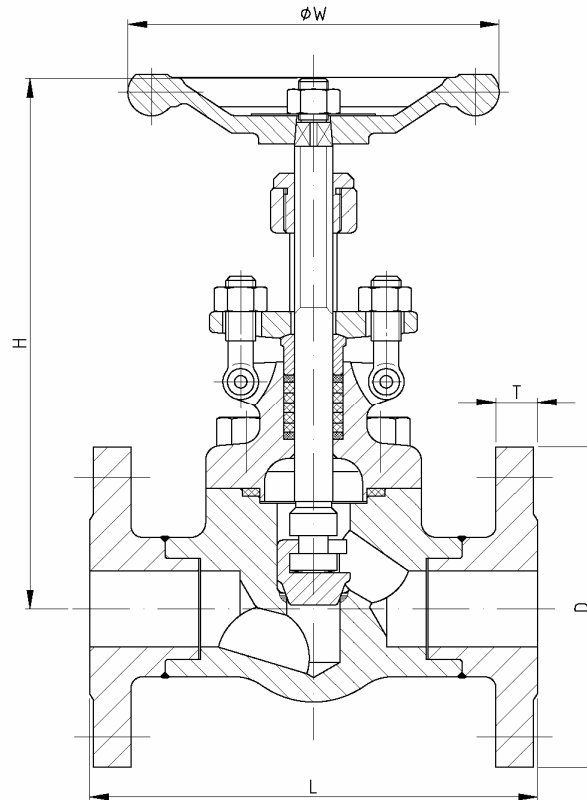


# Forged Globe Valves Class 150/300

## Fig. G150RF & G300RF

### Dimensions

#### Dimensions



#### Series G150RF (Class 150)

SIZE	L	D	T	W	H	WEIGHT
½" (DN 15)	108	89	11,5	100	158	3,3
¾" (DN 20)	117	98	13	100	163	4
1" (DN 25)	127	108	14,5	125	193	6
1¼" (DN 32)	140	118	16	160	250	7
1½" (DN 40)	165	127	17,5	160	250	10,5
2" (DN 50)	203	152	19,5	180	291	17

(\*) Dimensions in mm and weight in kg.

#### Series G300RF (Class 300)

SIZE	L	D	T	W	H	WEIGHT
½" (DN 15)	152	95	14,5	100	158	4,8
¾" (DN 20)	178	118	16	100	163	6,2
1" (DN 25)	203	124	17,5	125	193	9,3
1¼" (DN 32)	216	133	19,5	160	250	14
1½" (DN 40)	229	156	21	160	250	16
2" (DN 50)	267	165	22,5	180	291	24

(\*) Dimensions in mm and weight in kg.

Authorized Distributor



# Forged Globe Valves Class 150/300 Fig. G150RF & G300RF

## General Characteristics, Torque, KV, P&T Rating

GENERAL CHARACTERISTICS		Forged Globe Valve	
<b>DESIGN STANDARDS</b>			
Valves design	BS 5352	ASME B16.34	
Connections	ANSI B 1.20.1	ANSI B 16.11	
Face to face dimensions	ASME B16,10		
<b>TESTS AND CERTIFICATES</b>			
Quality Assurance	API 598		
Pressure testing	ISO 9001		
Marking	EN 12266-1		
	EN 19		

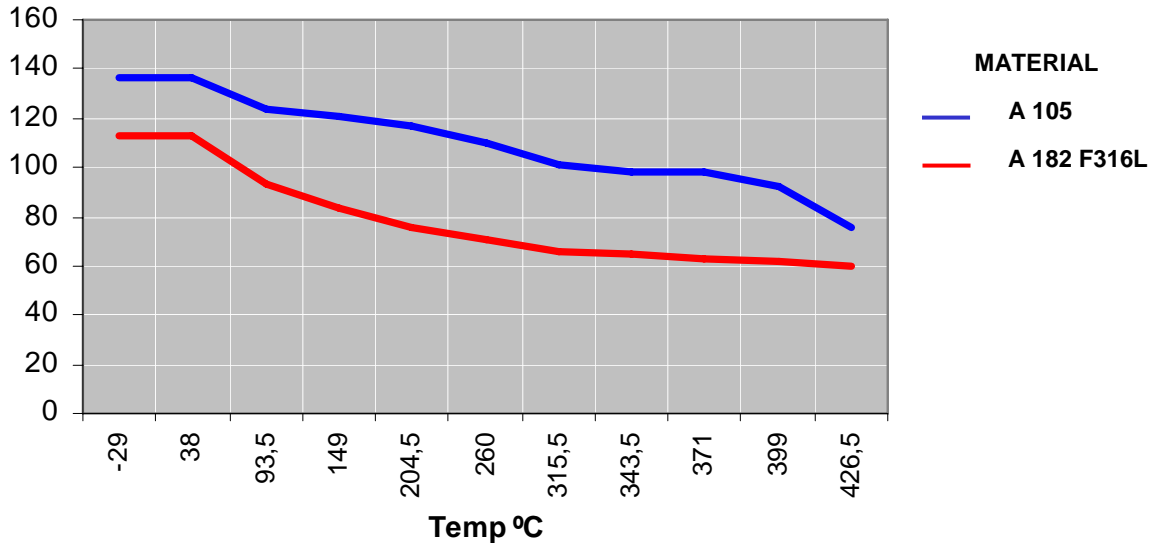
(\*) Welded flanges

### Kv Values in m<sup>3</sup>/h

VALVE SIZE	Kv	VALVE SIZE	Kv
½" (DN 15)	22,3	1¼" (DN 32)	642,7
¾" (DN 20)	42,8	1½" (DN 40)	1114
1" (DN 25)	80,5	2" (DN 50)	1970

### Pressure-Temperature

P Bar



Authorized Distributor

