

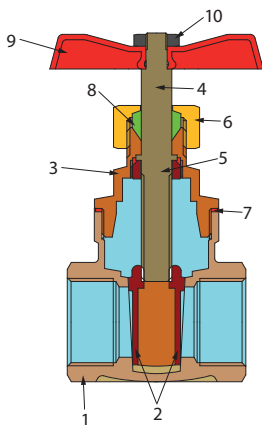


## 2700 BRONZE GATE VALVE



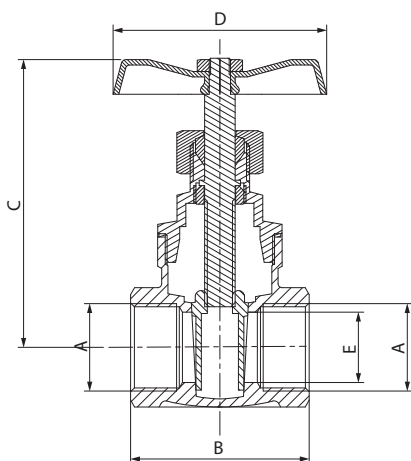
- Bronze gate valve
- Thread: ISO 228
- Temperature range: max. 80°C

This valve is particularly indicated for distributing, regulating and shutting off air or fluids that can cause dezincification problems. It is also suitable for use in marine and other aggressive environments. Other excellent fields of application are in plant engineering for plumbing and heating, industry and shipbuilding. Seat seal is provided by a metal-on-metal coupling.



### Components:

POSN.	PART NAME	No. Pcs.	MAERIAL
1	Body	1	Bronze SN UNI-EN 1982 DIN50930/6
2	Disc	2	Delta brass CS UNI-EN 1982 CB 7535
3	Upper part	1	CW617UN-EN 12165
4	Stem	1	CW614N UNI-EN 12164
5	Ring	1	CW614NUN-EN 12164
6	Gland	1	CW614NUN-EN 12164
7	Gasket body	1	Guarnital fibre
8	Gasket stem	1	Dutral EPDM90
9	Handwheel	1	Red epoxy-resin plasticized steel
10	Fixed nut Handwheel	1	Galvanised steel



### Dimensions:

A	B	C	D	E	PN
3/8"	38	66	45	13	16
1/2"	38	68	45	15	16
3/4"	45	78	50	19	16
1"	48	92	55	24	16
1.1/4"	51	108	60	32	16
1.1/2"	58	125	70	37	16
2"	62	145	80	47	16
2.1/2"	76	175	100	60	16
3"	80	200	100	72	16
4"	96	240	120	93	16