



**Forged Gate Valves**  
**Fig. C800 Class 800**  
**Size ½" – 2" (DN 15 – 50)**

---



**FIG. C800**  
**GATE VALVE**

API 602, MSS SP 118 & ASME B16.34

Connections according to:

ANSI B 1.20.1 (NPT)

ANSI B 16.11 (SW)

CE

---

Authorized Distributor

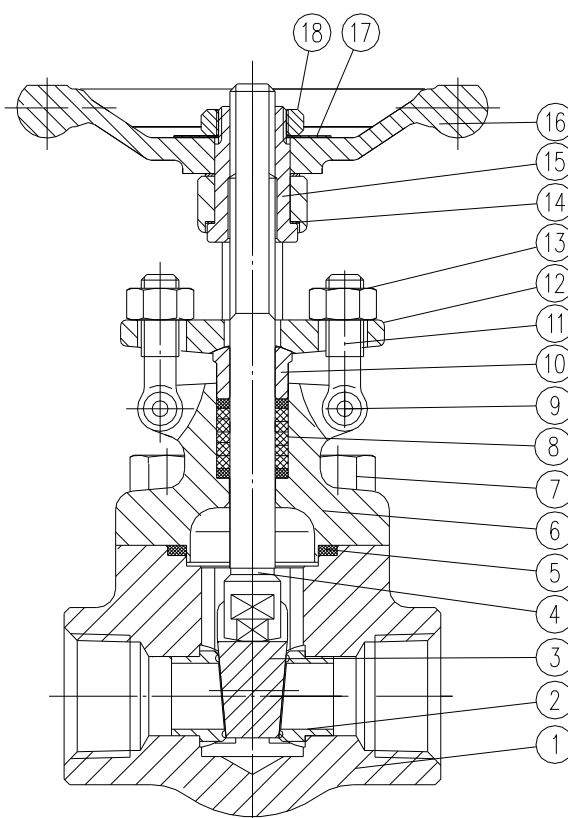


# JC<sup>®</sup> Forged Gate Valves

## Fig. C800 Class 800

### Parts and Materials

#### Parts and materials



Item	Description	Material	
		Carbon Steel	Stainless Steel
1	Body	A 105	A 182 F316L
2	Seat	A 182 F6A + STL	A 182 F316L + STL
3	Gate	A 182 F6A + STL	A 182 F316L
4	Stem	AISI 410	A 182 F316L
5	Gasket	AISI 304 + Graphite	AISI 316 + Graphite
6	Bonnet	A 105	A 182 F316L
7	Bolt	A 193 B7	A 193 B8M
8	Packing	Flexible Graphite + Carbon Fibre	
9	Pin	AISI 420	AISI 304
10	Packing Gland	AISI 420	AISI 316L
11	Eye Bolt	A 193 B8	A 193 B8M
12	Gland Flange	A 105	A 182 F316L
13	Hex Nut	A 194 8	A 194 8M
14	Washer	AISI 410	
15	Yoke Nut	AISI 410	
16	Hand wheel	A 197	
17	Nameplate	Aluminium	
18	Hex Nut	1035 Zinc Plated	

Authorized Distributor

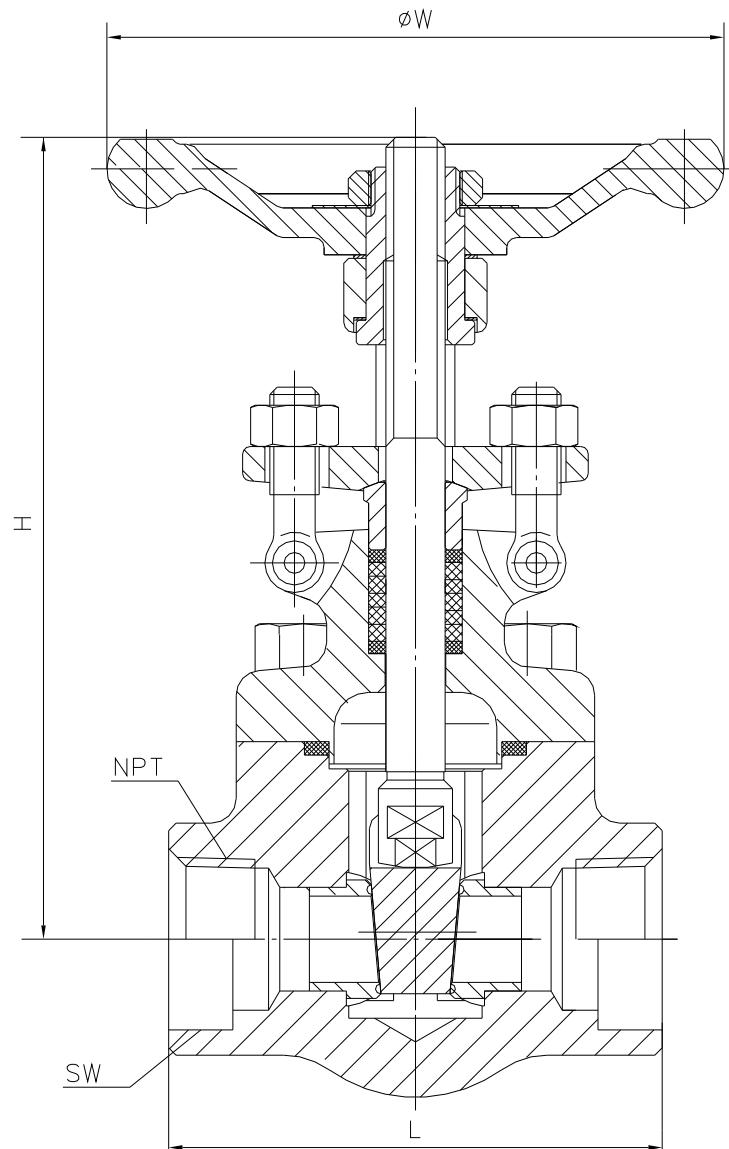




# Forged Gate Valves

## Fig. C800 Class 800

### Dimensions



#### Dimensions

SIZE	L	NPT	$\phi W$	H	Weight
1/2" (DN 15)	79	1/2"	100	151	2,2
3/4" (DN 20)	92	3/4"	100	158	2,4
1" (DN 25)	111	1"	125	185	4,2
1 1/4" (DN 32)	120	1 1/4"	160	239	6
1 1/2" (DN 40)	120	1 1/2"	160	243	7
2" (DN 50)	140	2"	180	279	11

(\*) Dimensions in mm and weight in kg.

#### Note:

Dimensions not subject to International Standards can vary in  $\pm 10\%$ . JC reserves the right to change those dimensions without notice, due to they do not affect integrity and performance of the valves.

Authorized Distributor





# Forged Gate Valves Fig. C800 Class 800

## General Characteristics, Torque, KV, P&T Rating

GENERAL CHARACTERISTICS		Forged Gate Valve	
<b>DESIGN STANDARDS</b>			
Valves design	API 602	ASME B 16.34	
Connections	ANSI B 1.20.1	ANSI B 16.11	
Face to face dimensions	Manufacturer's standard		
<b>TESTS AND CERTIFICATES</b>			
Quality Assurance	API 598		
Pressure testing	ISO 9001		
Marking	EN 12266-1		
	EN 19		

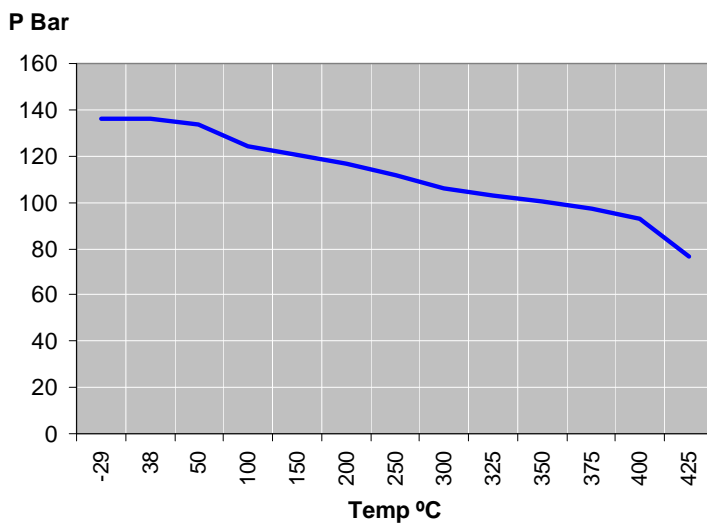
### Kv Values in m3/h

VALVE SIZE	Kv	VALVE SIZE	Kv
½" (DN 15)	15	1¼" (DN 32)	80
¾" (DN 20)	15	1½" (DN 40)	80
1" (DN 25)	29	2" (DN 50)	135

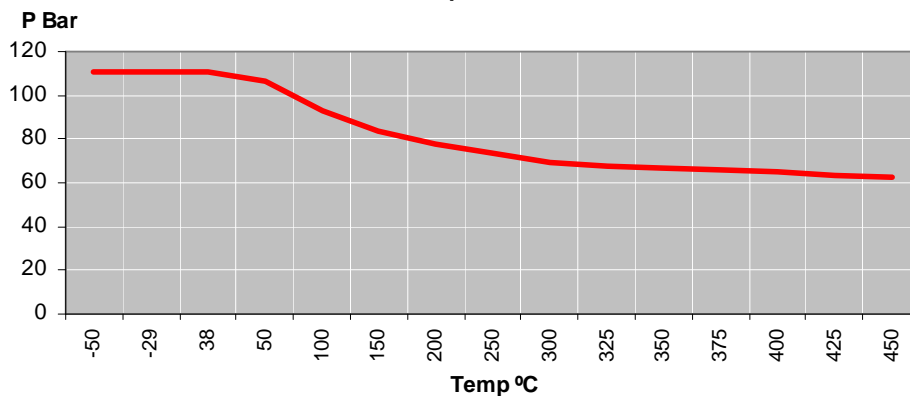
### Pressure-Temperature

### ASTM A105

### MATERIAL



- A 105
- A 182 F316L



Authorized Distributor

