

Butterfly valves

Wafer, Lug & Flanged

Manufacturing range	DN32 – DN2000
Face to face	EN 558 Series 20
	ISO 5752 Series 20
	API 608 Table 1
	BS 5155 Series 4
Mounting between	PN10/16-ANSI150 Lbs.
Flanges	ISO 7005, DIN 2501, BS 4504
	ANSI Class 150: ANSI B16.5
Top Flange	ISO 5211
Tightness Test	ISO 5208, zero leakage
	API 598
Coating	Rilsan®
Working Pressure	DN32 – DN600, Max. 20 bar
	>DN600, Max. 16 bar



► Features

- Valves certified and approved for different applications.
- 100% tight shut off, 0% leakage.
- Replaceable or vulcanized seat.
- One piece dry shaft. The fluid is not in contact with either the shaft or the body.
- Bi-directional sealing.
- Self-cleaning.
- Lightweight design for easier installation.
- Easy maintenance.
- Possibility of operation through different manual controls (hand lever, gearbox...), electric, pneumatic, hydraulic actuator,...
- Low operation torque.
- Aerodynamic butterfly design that minimizes pressure drop.

► General Applications

Water:

- Irrigation
- Potable water
- Sea water
- Water supply
- Pumping station
- Industrial water
- Waste water
- Fire protection systems
- Cooling tower

Industry:

- Food
- Paper mills
- Chemical
- Petrochemical
- Sugar mills
- Cement industry
- Petroleum
- Steel industry

Power generation

- Shipbuilding and offshore**
- Mining**
- Heating**
- Air conditioning**
- Compressed air**
- Construction**



Torque valves (Nm)

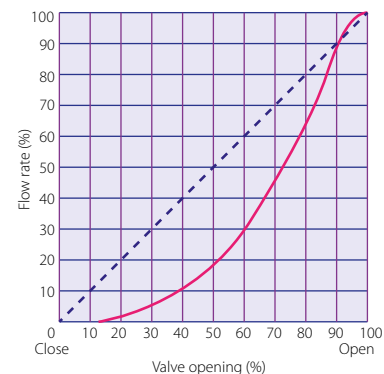
DN		Torque (Nm)		
mm	in	6 bar	10 bar	16 bar
32	1 1/4"	3	6	9
40	1 1/2"	3	6	9
50	2"	5	8	11
65	2 1/2"	7	10	20
80	3"	10	14	29
100	4"	12	18	47
125	5"	18	31	82
150	6"	31	59	130
200	8"	55	93	210
250	10"	123	206	360
300	12"	216	330	475
350	14"	333	425	760
400	16"	519	640	1300
450	18"	735	1176	1600
500	20"	931	1450	2340
600	24"	1372	2850	3300
700	28"	2254	4600	6250
750	30"	3136	5800	7644
800	32"	3724	7400	8938
900	36"	4410	11000	11760
1000	40"	6223	13600	15876
1100	44"	9702	14200	18535
1200	48"	12150	16400	21000
1300	52"	-	17800	-
1400	56"	-	19200	-
1600	64"	-	29000	-

All torque valves shown in the chart are for wet (water and other non-lubricating media) on-off service. For dry services (non-lubricating, dry gas media) multiply the values by 1.15. For lubricous services (clean, non-abrasive lubricating media) multiply values by 0.85.

Please contact technical department for additional data/info.

Kv data

Flow coefficient Kv
90°
70
70
164
201
359
627
995
1471
2509
3936
5865
8179
10660
12889
16023
22741
32448
35033
44850
51247
66104
81526
97355
119787
138400
166080



$$Cv = 1.16 \cdot Kv$$

Kv: Volume of water in m³/h, that will flow through a given restriction or valve opening with a pressure drop of 1 bar at 20°C

Chart for temperature and resistance:

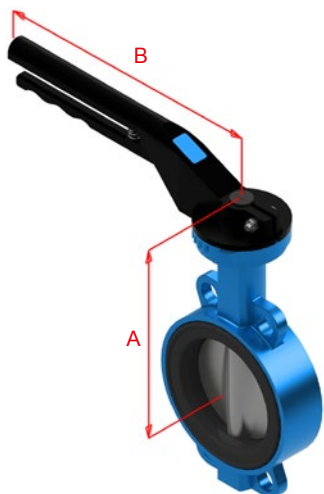
Name	Applications	Limitations	Temp. Rating
EPDM	Water, sea water, alcohols, organic salts dissolutions, mineral acid solutions, mineral bases alkaline	Not recommended for organic hydrocarbons	-20°C to 110°C
High Temp. EPDM	Water	Not recommended for hydrocarbons	-20°C to 130°C
NBR	Mineral and vegetable oils, gas, non-aromatic hydrocarbons, animal fats, vegetable fats, air	Organic acids, some mineral acids, chlorine, alcohols, aromatic hydrocarbons	-10°C to 80°C
Hypalon	Mineral acid dissolutions, organic and inorganic acids, oxidizing substances	Mineral and vegetable oils, hydrocarbons, animal and vegetable fats, cetones	-10°C to 80°C
FKM	Acids, fats, hydrocarbons, vegetable and mineral oils, fuels	Steam and hot water (max. 130°C) unleaded gasoline, cetones, amines, freon 22	-5°C to 180°C
Silicone	Low and high temperature resistance, food grade	Hydrocarbons, acids, bases, atmospheric agents	-10°C to 160°C
High Temp. Silicone	Superheated	Hydrocarbons, strong acids and strong bases	-50°C to 160°C
Epichlorhydrine	Ozone resistance, hydrocarbons, aromatic oils	Steam, intermediate resistance to oils	-25°C to 145°C

How to order: Ex.: 20W9040 N0

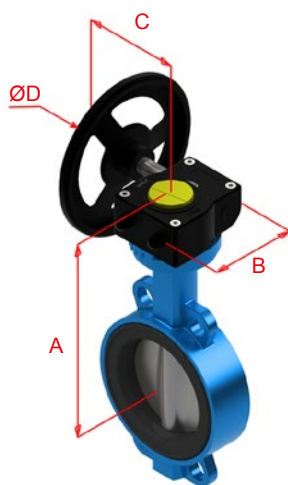
Body Material		Body Series		Valve Type		Stem Material		Disc Material		Seat Material	
20		W				90		40		N0	
10	GJL250	W	Wafer	V	Concentric standard soft seated	30	AISI 304	20	GJS500-7	C0	NATURAL RUBBER
20	GJS500-7	L	Lug	V	Vulcanized seat	40	AISI 316	40	CF-8M	E0	EPDM
40	CF-8M	B	Flanged S20	P	PTFE seat - Stainless disc PTFE seat - PTFE covered disc: Please add "T" at the end of the code	90	AISI 420	50	WCB	EA	DRINKING WATER EPDM
50	WCB	3	Flanged S13	P		95	17-4 PH	80	B-148 C95500	ET	HIGH TEMPERATURE EPDM
51	LCB	4	Flanged S14			D0	1.4462	91	CA-15	EN	NORDEL
60	Aluminium	R	Groove end	M	Metal/ metal concentric	D1	1.4517	95	17-4 PH	F0	PTFE
80	B-148 C95500			M5	MONEL K-500	D0	1.4470	D0	1.4470	H0	HYPALON
				X	Metal/ metal double eccentric Metal/ PTFE double eccentric	D1	1.4517	D1	1.4517	N0	NITRILE (NBR)
				D	Double flanged double eccentric soft seated	H0	HASTELLOY C	H0	HASTELLOY C	NC	CARBOXYLATED NITRILE
				C	Triple eccentric	U0	URANUS B6	U0	URANUS B6	NG	GAS NITRILE
						S3	1.4469	S3	1.4469	NL	LOW TEMPERATURE NITRILE
						S7	CK3MCuN	S7	CK3MCuN	S0	SILICONE (VQM)
										SA	FOOD GRADE SILICONE
										ST	HIGH TEMPERATURE SILICONE
										V0	FKM (KNOWN AS VITON)
										ST	EPICHLOROHYDRIN (ECO)
										NE	NEOPRENE
										F5	PTFE+25% GLASS FIBRE
										4L	CF-3M
										I0	INCONEL
										4E	AISI 316 + STELLITE
										4G	AISI 316 + GRAPHITE

► Válvula con accesorios / Valve with accessories

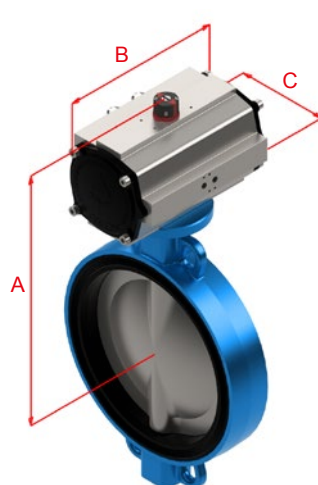
Mando palanca
Lever-operated



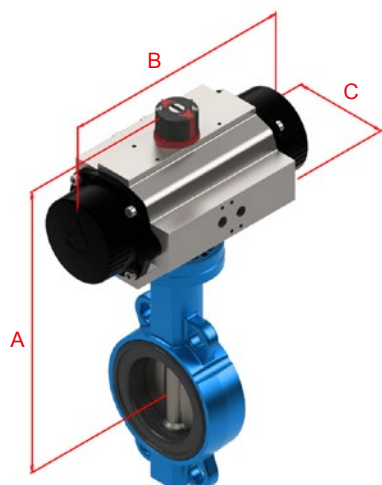
Reductor
Worm-gear



Actuador neumático doble efecto
Double acting actuator

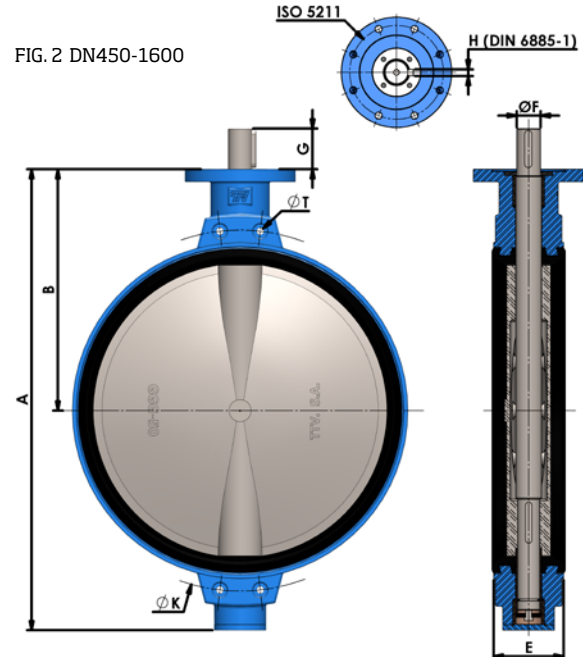
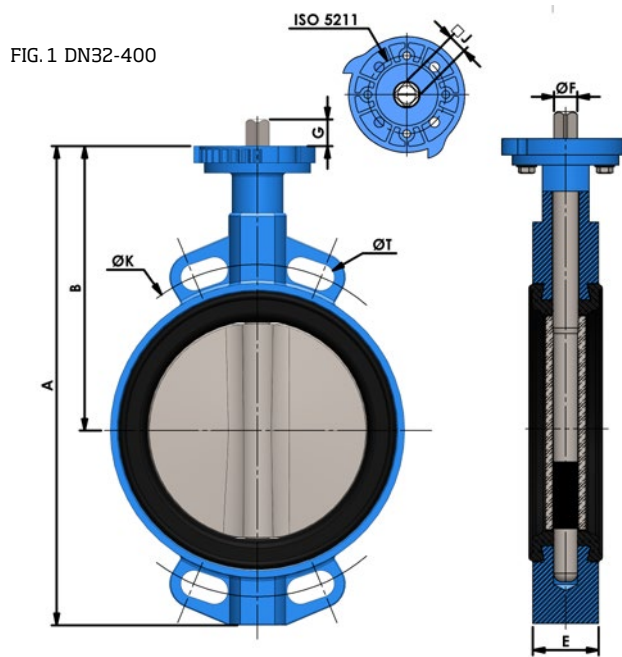


Actuador neumático simple efecto
Spring Return Actuator



Diámetro nominal		Mando palanca			Reductor					Actuador neumático doble efecto					Actuador neumático simple efecto				
Nominal size		Lever-operated			Worm-gear					Double acting actuator					Spring return actuator				
(mm)	In	A	B	Peso Weight	A	B	C	ØD	Peso Weight	A	B	C	Modelo Model	Peso Weight	A	B	C	model	Peso Weight
32	1 1/4"	170	205	2,5	198	128	116	140	3,5	214	145	76	ADA20	3,5	255	195	91	ASR40	4,5
40	1 1/2"	170	205	2,5	198	128	116	140	3,5	214	145	76	ADA20	3,5	255	195	91	ASR40	4,5
50	2"	186	205	4	214	128	116	140	5	252	145	76	ADA20	5	271	195	91	ASR40	6
65	2 1/2"	191	205	5	219	128	116	140	6	276	158	91	ADA40	6,5	298	217	111	ASR80	8,5
80	3"	199	205	5,5	227	128	116	140	6,5	284	158	91	ADA40	7	316	258	122	ASR130	10
100	4"	217	205	7	245	128	116	140	8	324	177	111	ADA80	9,5	334	258	122	ASR130	11,5
125	5"	235	330	9,5	264	128	120	200	10	353	225	135	ADA130	12	376	348,5	152,5	ASR300	19
150	6"	145	330	10,5	273	128	120	200	11	380	225	135	ADA200	14,5	397	348,5	152,5	ASR300	20
200	8"	285	330	16,5	313	128	120	200	17	420	225	135	ADA200	20,5	457	397	173	ASR500	30,5
250	10"	331	600	25	322	175	223	300	25,5	430	273	152,5	ADA300	40	469	473	191,5	ASR850	44
300	12"	363	600	33	354	175	223	300	34	479	304	176	ADA500	41,5	529	560	212,5	ASR1200	64,5
350	14"	-	-	-	398	224	322	400	48,5	549	439	212,5	ADA1200	65	580	601	242,5	ASR1750	85
400	16"	-	-	-	438	224	322	400	61,5	620	461	242,5	ADA1750	84,5	759	702	276,5	ASR2500	152
450	18"	-	-	-	486	226	381	600	106	703	510	276,5	ADA2100	102	824	940	415	ASR4000	270
500	20"	-	-	-	542	258	402	600	144	823	518	356	ADA2500	187	-	-	-	-	-
600	24"	-	-	-	630	322,5	447	700	216	863	630	415	ADA2500	247	-	-	-	-	-
700	28"	-	-	-	699	390	447	500	307	-	-	-	-	-	-	-	-	-	-
750	30"	-	-	-	723	390	447	500	345	-	-	-	-	-	-	-	-	-	-
800	32"	-	-	-	779	390	447	700	379	-	-	-	-	-	-	-	-	-	-
900	36"	-	-	-	824	469	500	600	580	-	-	-	-	-	-	-	-	-	-
1000	40"	-	-	-	894	469	500	600	736	-	-	-	-	-	-	-	-	-	-
1100	44"	-	-	-	954	469	500	600	927	-	-	-	-	-	-	-	-	-	-
1200	48"	-	-	-	1012	574	556	800	1107	-	-	-	-	-	-	-	-	-	-
1300	52"	-	-	-	1237	574	589	700	1882	-	-	-	-	-	-	-	-	-	-
1400	56"	-	-	-	1257	713	589	700	2132	-	-	-	-	-	-	-	-	-	-
1600	64"	-	-	-	1422	713	589	700	2582	-	-	-	-	-	-	-	-	-	-

► Dimensiones válvulas / Valve dimensions



Dimensiones válvulas / Valves dimensions										PN10		PN16		ANSI150	
DN		A	B	E	F	G	J	ISO 5211	Peso Weight (Kg)	K	Taladros Holes N°xT	K	Taladros Holes N°xT	K	Taladros Holes N°xT
mm	In														

FIG. 1 DN32-400

32	1 1/4"	206	140	33	9,8	14	8	F05/07	2	100	4x18	100	4x18	88,9	4x16
40	1 1/2"	206	140	33	9,8	14	8	F05/07	2	110	4x18	110	4x18	98,5	4x16
50	2"	228	156	43	9,8	14	8	F05/07	3,5	125	4x18	125	4x18	120,6	4x19
65	2 1/2"	248	161	46	12	16	9	F05/07	4,5	145	4x18	145	4x18	139,7	4x19
80	3"	265	169	46	14	16	11	F05/07	5	160	4x18	160	4x18	152,4	4x19
100	4"	298	187	52	14	20	11	F05/07	6,5	180	4x18	180	4x18	190,5	4x19
125	5"	331	206	56	18	20	14	F07	8	210	4x18	210	4x18	215,9	4x23
150	6"	349	215	56	18	20	14	F07	9	240	4x23	240	4x23	241,3	4x23
200	8"	430	255	60	22	24	17	F07	15	295	4x23	295	4x23	298,5	4x23
250	10"	461	248	68	25	24	19	F10	21,5	350	4x23	355	4x27	362	4x26
300	12"	524	280	78	28	24	22	F10	30	400	4x23	410	4x27	431,8	4x26
350	14"	570	300	78	28	29	22	F14	39	460	4x23	470	4x27	476,3	4x29
400	16"	644	340	102	35	29	27	F14	52	515	4x27	525	4x30	539,8	4x29

FIG. 2 DN450-1600

450	18"	736	390	114	50	80	-	F14	87	565	4xM24	585	4xM27	577,9	4x1 1/8"
500	20"	825	440	127	50	80	-	F14	117	620	4xM24	650	4xM30	635	4x1 1/8"
600	24"	965	507	154	60	90	-	F16	177	725	4xM27	770	4xM33	749,3	4x1 1/4"
700	28"	1100	575	165	60	90	-	F25	258	840	4xM27	840	4xM33	863	4x1 1/4"
750	30"	1150	600	190	65	110	-	F25	296	900	4xM30	900	4xM33	914	4x1 1/4"
800	32"	1248	655	190	65	110	-	F25	330	950	4xM30	950	4xM36	978	4x1 1/2"
900	36"	1325	685	203	80	110	-	F25	505	1050	4xM30	1050	4xM36	1086	4x1 1/2"
1000	40"	1457	754	216	80	110	-	F25	661	1160	4xM33	1170	4xM39	1200	4x1 1/2"
1100	44"	1580	815	216	80	110	-	F25	840	1270	4xM33	1270	4xM39	1314	4x1 1/2"
1200	48"	1721	873	254	100	110	-	F25	1020	1380	4xM36	1390	4xM45	1422	4x1 1/2"
1300	52"	1910	1005	360	120	120	-	F30	1650	-	-	-	-	1537	4x1 3/4"
1400	56"	1990	1025	360	120	130	-	F30	1900	1590	4xM39	1590	4xM45	1651	4x1 3/4"
1600	64"	2320	1190	360	150	160	-	F35	2350	1820	4xM45	1820	4xM52	1879,6	4x1 7/8"

• Las dimensiones son nominales +/- 1 mm / Dimensions are nominal +/- 1 mm
 • Sujeto a cambios sin previo aviso / Subject to change without notice

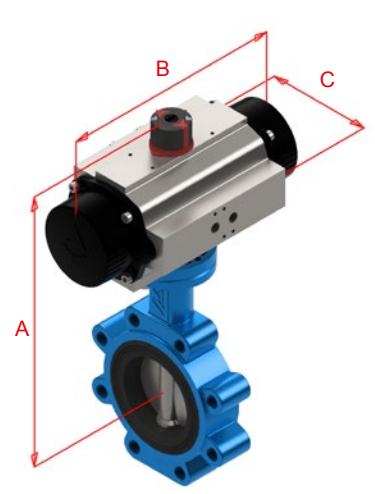
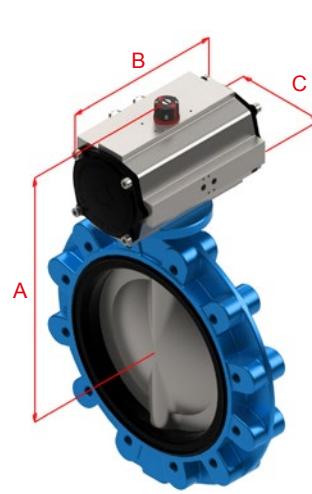
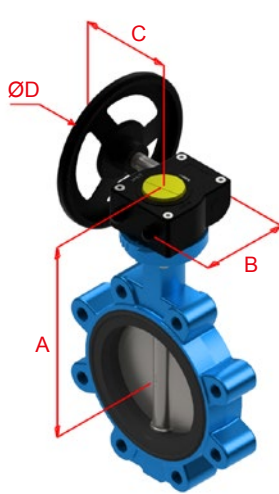
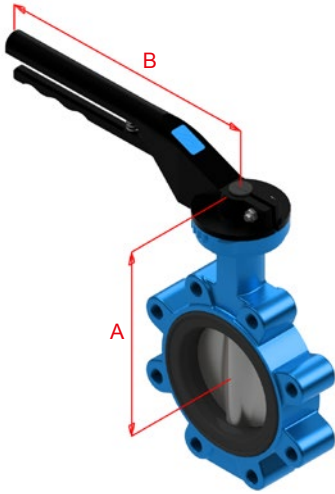
► Válvula con accesorios / Valve with accessories

Mando palanca
Lever-operated

Reductor
Worm-gear

Actuador neumático doble efecto
Double acting actuator

Actuador neumático simple efecto
Spring Return Actuator



Diámetro nominal		Mando palanca			Reductor					Actuador neumático doble efecto					Actuador neumático simple efecto				
Nominal size		Lever-operated			Worm-gear					Double acting actuator					Spring return actuator				
(mm)	In	A	B	Peso Weight	A	B	C	ØD	Peso Weight	A	B	C	Modelo Model	Peso Weight	A	B	C	model	Peso Weight
32	1 1/4"	170	205	3,5	198	128	116	140	4,5	214	145	76	ADA20	4,5	255	195	91	ASR40	5
40	1 1/2"	170	205	3,5	198	128	116	140	4,5	214	145	76	ADA20	4,5	255	195	91	ASR40	5
50	2"	186	205	4	214	128	116	140	5	252	145	76	ADA20	5	271	195	91	ASR40	5,5
65	2 1/2"	191	205	5	219	128	116	140	6	276	158	91	ADA40	7	298	217	111	ASR80	7,5
80	3"	199	205	7	227	128	116	140	8	284	158	91	ADA40	9	316	258	122	ASR130	10,5
100	4"	217	205	8,5	245	128	116	140	9,5	324	177	111	ADA80	11	334	258	122	ASR130	12
125	5"	236	330	12	264	128	120	200	13	353	225	135	ADA130	15	376	348,5	152,5	ASR300	17
150	6"	245	330	13	273	128	120	200	14	380	225	135	ADA200	18	397	348,5	152,5	ASR300	18
200	8"	285	330	19,5	313	128	120	200	20,5	420	225	135	ADA200	24	457	397	173	ASR500	27
250	10"	331	600	31	322	175	223	300	32,5	430	273	152,5	ADA300	40	469	473	191,5	ASR850	45,5
300	12"	363	600	44,5	354	175	223	300	46	479	304	176	ADA500	53,5	529	560	212,5	ASR1200	68
350	14"	-	-	-	398	224	322	400	62,5	549	439	212,5	ADA1200	81,5	580	601	242,5	ASR1750	85,5
400	16"	-	-	-	438	224	322	400	86,5	620	461	242,5	ADA1750	109,5	759	702	276,5	ASR2500	147
450	18"	-	-	-	483	226	381	600	129	703	510	276,5	ADA2100	160	824	940	415	ASR4000	239,5
500	20"	-	-	-	542	258	402	600	162	823	518	356	ADA2500	204,5	-	-	-	-	-
600	24"	-	-	-	630	322,5	447	700	248,5	863	630	415	ADA2500	279,5	-	-	-	-	-
700	28"	-	-	-	699	403	447	500	339	-	-	-	-	-	-	-	-	-	-
750	30"	-	-	-	723	390	447	500	409	-	-	-	-	-	-	-	-	-	-
800	32"	-	-	-	779	390	447	700	499	-	-	-	-	-	-	-	-	-	-
900	36"	-	-	-	824	469	500	600	625	-	-	-	-	-	-	-	-	-	-
1000	40"	-	-	-	893	469	500	600	835	-	-	-	-	-	-	-	-	-	-
1100	44"	-	-	-	954	469	500	600	1107	-	-	-	-	-	-	-	-	-	-
1200	48"	-	-	-	1012	370	556	800	1547	-	-	-	-	-	-	-	-	-	-
1300	52"	-	-	-	1237	510	589	700	2562	-	-	-	-	-	-	-	-	-	-
1400	56"	-	-	-	1257	510	589	700	2682	-	-	-	-	-	-	-	-	-	-
1600	64"	-	-	-	1422	510	589	700	3172	-	-	-	-	-	-	-	-	-	-

► Dimensiones válvulas / Valve dimensions

FIG. 1 DN32-400

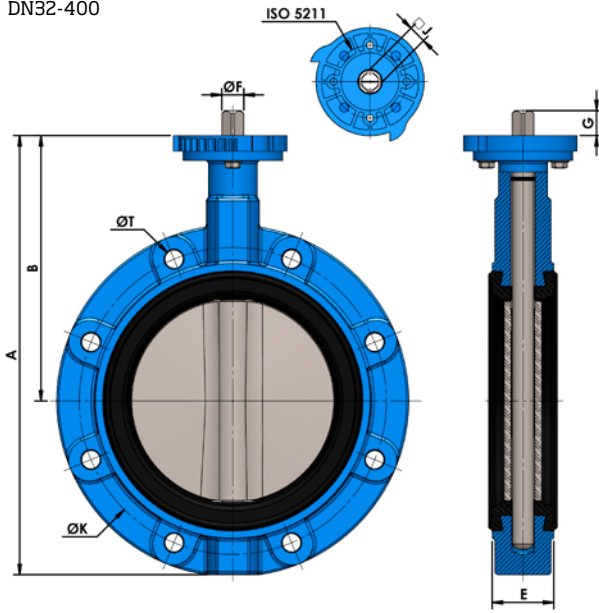
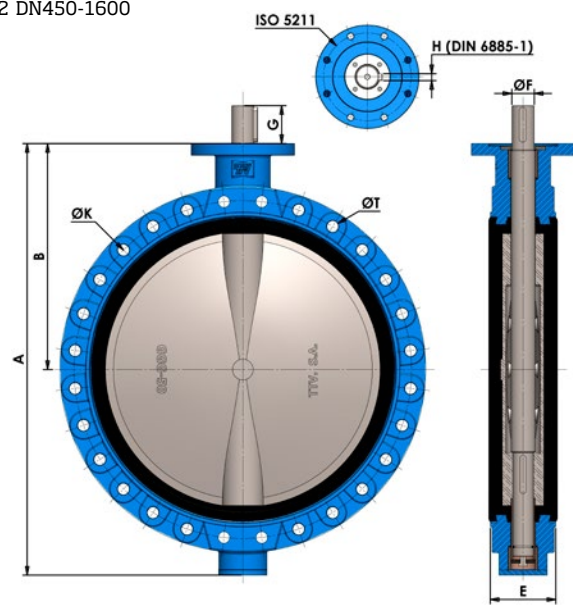


FIG. 2 DN450-1600



Dimensiones válvulas / Valves dimensions										PN10		PN16		ANSI150	
DN		A	B	E	F	G	J	ISO 5211	Peso Weight (Kg)	K	Taladros Holes N°xT	K	Taladros Holes N°xT	K	Taladros Holes N°xT
mm	In														

FIG. 1 DN32-400

32	1 1/4"	205	140	33	9,8	14	8	4x9	3	100	4xM16	100	4xM16	88,9	4x1/2"
40	1 1/2"	205	140	33	9,8	14	8	4x9	3	110	4xM16	110	4xM16	98,5	4x1/2"
50	2"	226	156	43	9,8	14	8	4x9	3,5	125	4xM16	125	4xM16	120,6	4x5/8"
65	2 1/2"	246	161	46	12	16	9	4x9	4,5	145	4xM16	145	4xM16	139,7	4x5/8"
80	3"	259	169	46	14	16	11	4x9	6,5	160	8xM16	160	8xM16	152,4	4x5/8"
100	4"	295	187	52	14	20	11	4x9	8	180	8xM16	180	8xM16	190,5	8x5/8"
125	5"	325	206	56	18	20	14	4x9	11	210	8xM16	210	8xM16	215,9	8x3/4"
150	6"	352	215	56	18	20	14	4x9	12	240	8xM20	240	8xM20	241,3	8x3/4"
200	8"	422	255	60	22	24	17	4x9	18,5	295	8xM20	295	12xM20	298,5	8x3/4"
250	10"	460	248	68	25	24	19	4x11	28,5	350	12xM20	355	12xM24	362	12x7/8"
300	12"	523	280	78	28	24	22	4x11	42	400	12xM20	410	12xM24	431,8	12x7/8"
350	14"	570	300	78	28	29	22	4x18	53	460	16xM20	470	16xM24	476,3	12x1"
400	16"	644	340	102	35	29	27	4x18	77	515	16xM24	525	16xM27	539,8	16x1"

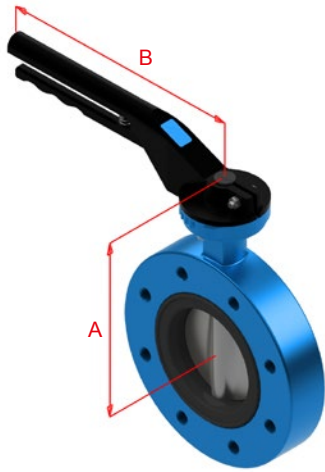
FIG. 2 DN450-1600

450	18"	738	390	114	50	80	-	4x18	110	565	20xM24	585	20xM27	577,9	16x1 1/8"
500	20"	825	440	127	50	80	-	4x18	135	620	20xM24	650	20xM30	635	20x1 1/8"
600	24"	965	507	154	60	90	-	4x22	210	725	20xM27	770	20xM33	749,3	20x1 1/4"
700	28"	1100	575	165	60	90	-	8x18	290	840	24xM27	840	24xM33	863	28x1 1/4"
750	30"	1150	600	190	65	110	-	8x18	360	900	24xM30	900	24xM33	914	28x1 1/4"
800	32"	1248	655	190	65	110	-	8x18	450	950	24xM30	950	24xM36	978	28x1 1/2"
900	36"	1325	685	203	80	110	-	8x18	550	1050	28xM30	1050	28xM36	1086	32x1 1/2"
1000	40"	1454	754	216	80	110	-	8x18	760	1160	28xM33	1170	28xM39	1200	36x1 1/2"
1100	44"	1580	815	216	80	110	-	8x18	1020	1270	32xM33	1270	32xM39	1314	40x1 1/2"
1200	48"	1720	873	254	100	110	-	8x18	1460	1380	32xM36	1390	32xM45	1422	44x1 1/2"
1300	52"	1910	1005	360	120	130	-	8x22	2330	-	-	-	-	1537	44x1 3/4"
1400	56"	1990	1025	360	120	130	-	8x22	2450	1590	36xM39	1590	36xM45	1651	48x1 3/4"
1600	64"	2320	1190	360	150	160	-	8x32	2940	1820	40xM45	1820	40xM52	1879,6	52x1 7/8"

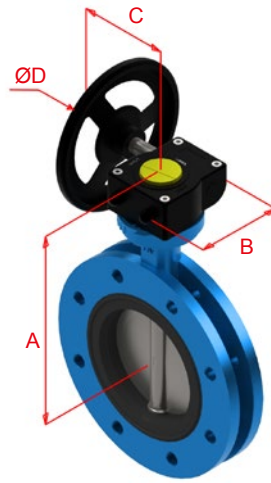
• Las dimensiones son nominales +/- 1 mm / Dimensions are nominal +/- 1 mm
 • Sujeto a cambios sin previo aviso / Subject to change without notice

► Válvula con accesorios / Valve with accessories

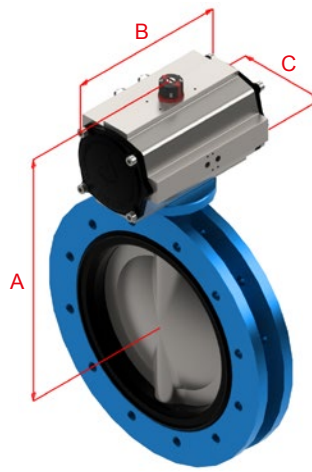
Mando palanca
Lever-operated



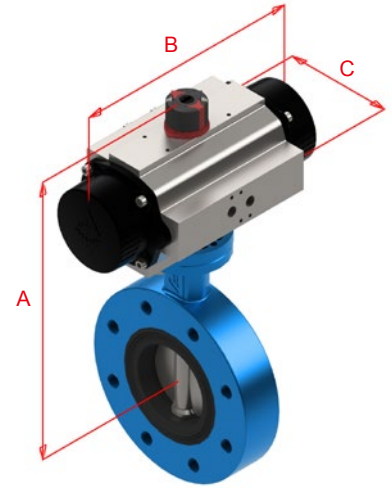
Reductor
Worm-gear



Actuador neumático doble efecto
Double acting actuator



Actuador neumático simple efecto
Spring Return Actuator



Diámetro nominal		Mando palanca			Reductor					Actuador neumático doble efecto					Actuador neumático simple efecto				
Nominal size		Lever-operated			Worm-gear					Double acting actuator					Spring return actuator				
(mm)	In	A	B	Peso Weight	A	B	C	ØD	Peso Weight	A	B	C	Modelo Model	Peso Weight	A	B	C	model	Peso Weight
50	2"	186	205	7	214	128	116	140	7	252	145	76	ADA20	7	271	195	91	ASR40	8
65	2 1/2"	191	205	7,5	219	128	116	140	7,5	276	158	91	ADA40	7,5	298	217	111	ASR80	8,5
80	3"	199	205	9	227	128	116	140	9	284	158	91	ADA40	9	316	258	122	ASR130	10,5
100	4"	217	205	13,5	245	128	116	140	13,5	324	177	111	ADA80	15	334	258	122	ASR130	17
125	5"	237	205	17,5	264	128	120	200	18	353	225	135	ADA130	20	376	348,5	152,5	ASR300	27
150	6"	245	205	15,5	273	128	120	200	16	380	225	135	ADA200	20	397	348,5	152,5	ASR300	25
200	8"	285	330	23,5	313	128	120	200	24	420	225	135	ADA200	28	457	397	173	ASR500	37,5
250	10"	331	330	41,5	322	175	223	300	38	430	273	152,5	ADA300	42,5	469	473	191,5	ASR850	57
300	12"	363	330	55,5	354	175	223	300	52	479	304	176	ADA500	59,5	529	560	212,5	ASR1200	83
350	14"	387	330	65,5	398	224	322	400	67,5	549	439	212,5	ADA1200	84	580	601	242,5	ASR1750	104
400	16"	423	330	88,5	438	224	322	400	90,5	620	461	242,5	ADA1750	113,5	759	702	276,5	ASR2500	181
450	18"	-	-	-	482	226	381	600	137	703	510	276,5	ADA2100	168	824	940	415	ASR4000	301
500	20"	-	-	-	542	258	402	600	171	823	518	356	ADA2500	214	-	-	-	-	-
600	24"	-	-	-	630	322,5	447	700	258,5	863	630	415	ADA2500	290	-	-	-	-	-
700	28"	-	-	-	699	403	447	500	349	-	-	-	-	-	-	-	-	-	-
750	30"	-	-	-	723	390	447	500	419	-	-	-	-	-	-	-	-	-	-
800	32"	-	-	-	779	390	447	700	464	-	-	-	-	-	-	-	-	-	-
900	36"	-	-	-	824	469	500	600	640	-	-	-	-	-	-	-	-	-	-
1000	40"	-	-	-	893	469	500	600	850	-	-	-	-	-	-	-	-	-	-
1100	44"	-	-	-	954	469	500	600	1077	-	-	-	-	-	-	-	-	-	-
1200	48"	-	-	-	1012	370	556	800	1437	-	-	-	-	-	-	-	-	-	-
1300	52"	-	-	-	1237	510	589	700	2332	-	-	-	-	-	-	-	-	-	-
1400	56"	-	-	-	1257	510	589	700	2682	-	-	-	-	-	-	-	-	-	-
1600	64"	-	-	-	1422	510	589	700	2942	-	-	-	-	-	-	-	-	-	-
1400	56"	-	-	-	1257	713	589	700	2132	-	-	-	-	-	-	-	-	-	-
1600	64"	-	-	-	1422	713	589	700	2582	-	-	-	-	-	-	-	-	-	-

FIG. 1 DN32-400

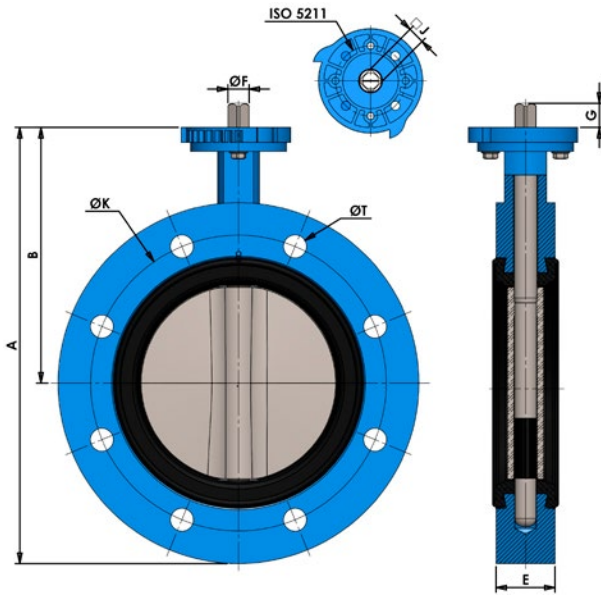
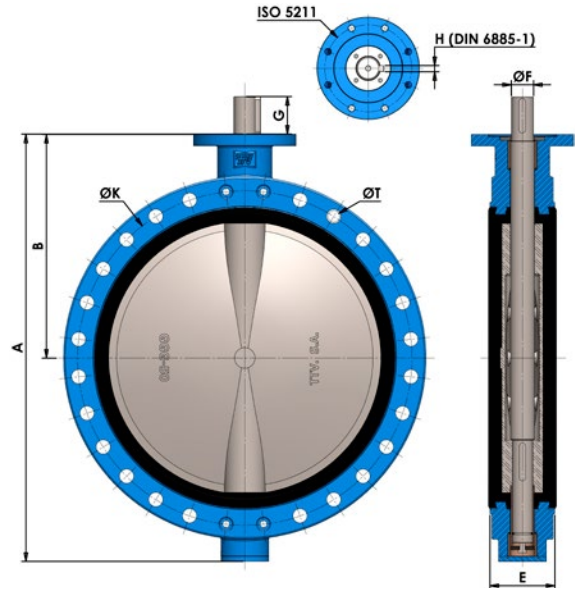


FIG. 2 DN450-1600



Dimensiones válvulas / Valves dimensions										PN10		PN16		ANSI150				
DN		A	B	E	F	G	J	ISO 5211	Peso Weight (Kg)	K	Taladros Holes		K	Taladros Holes		K	Taladros Holes	
mm	In										N°xT	N°xT1		N°xT	N°xT1		N°xT	N°xT1

FIG. 1 DN32-400

50	2"	239	156	43	9,8	14	8	F05/07	6	125	4x19	-	125	4x19	-	120,6	4x19	-
65	2 1/2"	254	161	46	12	16	9	F05/07	7.5	145	4x19	-	145	4x19	-	139,7	4x19	-
80	3"	269	169	46	14	16	11	F05/07	9	160	8x19	-	160	8x19	-	152,4	4x19	-
100	4"	306	187	52	14	20	11	F05/07	12	180	8x19	-	180	8x19	-	190,5	8x19	-
125	5"	337	207	56	18	20	14	F07	16	210	8x19	-	210	8x19	-	216	8x23	-
150	6"	361	215	56	18	20	14	F07	14	240	8x23	-	240	8x23	-	241,3	8x23	-
200	8"	435	255	60	22	24	17	F07	22	295	8x23	-	295	12x23	-	298,5	8x23	-
250	10"	458	248	68	25	24	19	F10	34	350	8x23	4xM20	355	8x27	4xM24	362	8x26	4x7/8"
300	12"	521	280	78	28	24	22	F10	48	400	8x23	4xM20	410	8x27	4xM24	431,8	8x26	4x7/8"
350	14"	565	300	78	28	29	22	F14	58	460	12x23	4xM20	470	12x27	4xM24	476,3	8x29	4x1"
400	16"	645	340	102	35	29	27	F14	81	515	12x27	4xM24	525	12x30	4xM27	539,8	12x29	4x1"

FIG. 2 DN450-1600

450	18"	736	390	114	50	80	-	F14	118	565	16x27	4xM24	585	16x30	4xM27	577,9	12x32	4x1 1/8"
500	20"	825	440	127	50	80	-	F14	144	620	16x27	4xM24	650	16x33	4xM30	635	16x32	4x1 1/8"
600	24"	965	507	154	60	90	-	F16	220	725	16x30	4xM27	770	16x36	4xM33	749,3	16x36	4x1 1/4"
700	28"	1100	575	165	60	90	-	F25	300	840	20x30	4xM27	840	20x36	4xM33	863	24x36	4x1 1/4"
750	30"	1150	600	190	65	110	-	F25	370	900	20x33	4xM30	900	20x36	4xM33	914	24x36	4x1 1/4"
800	32"	1248	655	190	65	110	-	F25	415	950	20x33	4xM30	950	20x39	4xM36	978	24x41	4x1 1/2"
900	36"	1325	685	203	80	110	-	F25	565	1050	24x33	4xM30	1050	24x39	4xM36	1086	28x41	4x1 1/2"
1000	40"	1457	754	216	80	110	-	F25	775	1160	24x36	4xM33	1170	24x42	4xM39	1200	32x41	4x1 1/2"
1100	44"	1580	815	216	80	110	-	F25	990	1270	28x36	4xM33	1270	28x42	4xM39	1314	36x41	4x1 1/2"
1200	48"	1721	873	254	100	110	-	F25	1350	1380	28x39	4xM36	1390	28x48	4xM45	1422	40x41	4x1 1/2"
1300	52"	1910	1005	360	120	130	-	F30	2100	-	-	-	-	-	-	1537	40x48	4x1 3/4"
1400	56"	1990	1025	360	120	130	-	F30	2450	1590	32x42	4xM39	1590	32x48	4xM45	1651	44x48	4x1 3/4"
1600	64"	2320	1190	360	150	160	-	F35	2710	1820	36x48	4xM45	1820	36x56	4xM52	1879,6	44x51	4x1 7/8"
1800	72"	2525	1310	360	150	170	-	F35	3100	2020	36x48	8xM45	2020	36x56	8xM52	2096	52x51	8x1 7/8"
2000	80"	2680	1360	360	150	170	-	F35	3650	2230	40x48	8xM45	2230	40x62	8xM56	2311	52x54	8x2"



Representado por:

	valcontrol,sa
www.valcontrol.pt	 geral@valcontrol.pt
Rua da Guarda, 635 Perafita 4455-466 MATOSINHOS	 R. Quinta do Bom Retiro, 16 Arm. 5 Charneca da Caparica 2820-476 ALMADA
22 996 29 16	 21 274 99 80