

Contact Free Operated Signal Devices TCR-Line

EEx i - Slotted Proximity Sensor

The TCR-module with a slotted sensor converts the end positions or middle positions of the actuator into electrical signals.

The slotted sensor is commonly used in the chemical industry and generally in applications with explosion protection, although 2-wire technology is also increasingly applied in mechanical engineering.

The slotted proximity sensor is intrinsically safe because of the low potential. There is no need of an additional explosion protection installation.

The fully adjustable serrated cams are locked together to ensure that the adjusted setting is secured against any vibration.



ADVANTAGES

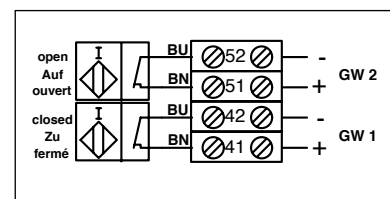
- The end position can damped or undamped,
- high switching precision by a large diameter of the disc
- up to 4 slotted proximity sensors can be mounted.

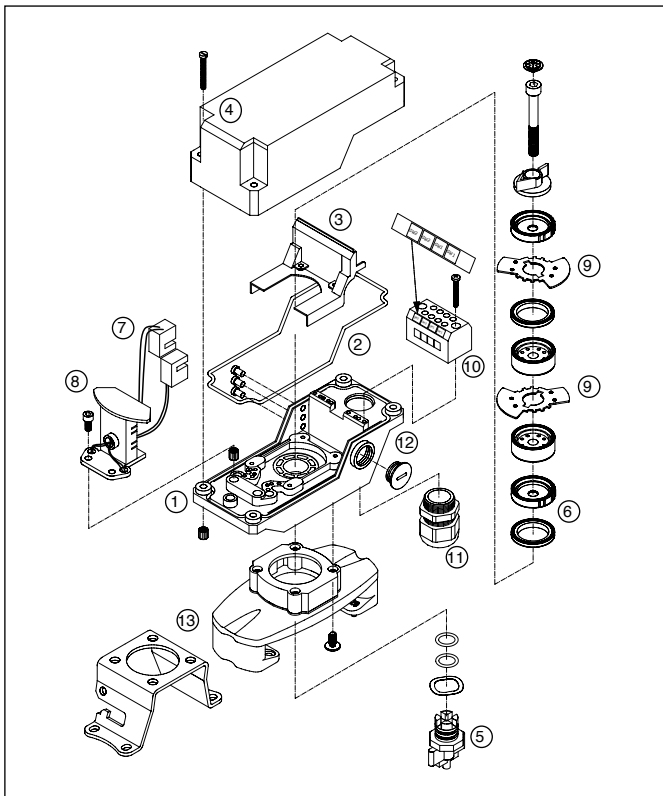
TECHNICAL DATA

Manufacturer:	Pepperl + Fuchs	Pepperl + Fuchs
Type:	SJ 3,5 N	SJ 5 N
	slotted sensor, NC, NAMUR (DIN 19 234)	
Nom. voltage:	8 V DC	8 V DC
Working voltage:	5 .. 25 V DC	5 .. 25 V DC
Output:	short-circuit proof	
	undamped ≥ 3 mA, damped ≤ 1 mA	
Base:	Vestamid black	
Cover:	optional Makrolon clear, Vestamid black or Aluminium nickel plated	
Sealing:	EPDM, NBR or silicon	
Ingress protection:	sensor: IP 67, housing: IP 65	
	acc. to IEC 529 / DIN 40 050	
Switching precision of the unit:	$\leq 0,5^\circ$	
Temp. range:	- 25 to + 85 °C	- 25 to + 85 °C
Prov. connection:	M20x1,5	
solenoid connection:	M12x1,5	



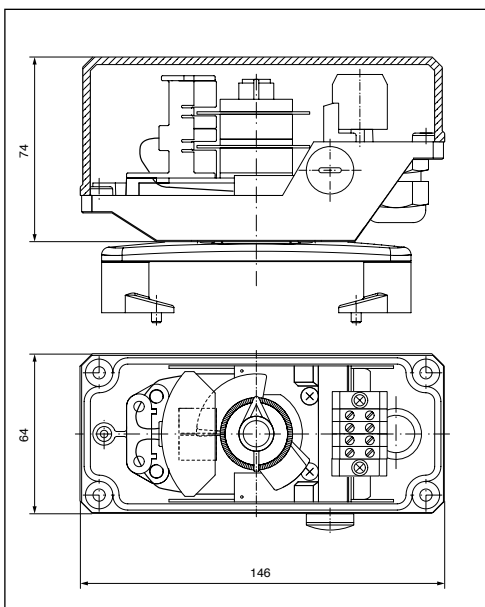
WIRING DIAGRAM





Pos.	Pcs.	Description	Material
1	1	Housing (base)	Vestamid
2	1	O-ring sealing	optional
3	1	Internal cover	PA + 30%GF
4	1	Housing (cover)	optional
5	1	TCR-axis	POM
6	1	Switch cam system	POM
7	2	Slotted proximity sensor	-
8	1	Sensor plate	PA + 30%GF
9	2	Dampening flag	A2
10	1	Terminal block, 4 poles	-
11	1	Cable gland	-
12	1	Dummy plug for solenoid con.	-
13	1	Bracket, Size 1-4	A2 or PA

Brackets chapter A5



Ordering information

TCR-Modul with slotted sensor (without bracket)

T	PF	3	N	M	S	V	AZ	
							Anzeige :	A = Auf M = Mitte Z = Zu
							Sockelwerkstoff :	V = Vestamid
							Sichtanzeige :	S (optional)
							Deckelwerkstoff :	M = Makrolon A = Aluminium V = Vestamid
							Typ :	N = ... - N S = ... - SN
							Schlitzgröße :	3 = 3,5mm 5 = 5mm
							Fabrikat :	PF = Pepperl + Fuchs TU = Turck
							Bauart :	T = TCR