

## Signal Devices In TCR-Housing for Ex-Areas

### EEx ed IIC T6 – Limit Switch Box



The limit switch module for hazardous areas converts mechanical end or middle positions of the actuator into electrical signals.

The microswitch (EEx d IIC T6) is through its very compact design especially suited to be mounted into a housing. As a potential free switch over contact it is flexible in the kind of control.

The TCR-module made of a shock-proof Vestamid housing is certified for protection class EEx ed IIC T6 by using components that are increased safety and flame proof.

The fully adjustable serrated cams are locked together to ensure that the adjusted setting is secured against any vibration.



#### ADVANTAGES

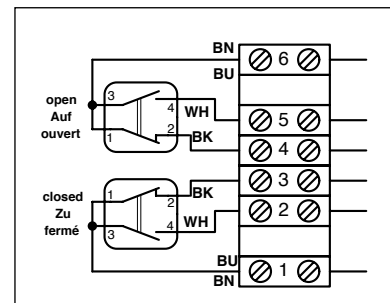
- protection class **EEx ed IIC T6**
- display "Open" and "Closed" can be adjusted individually by the switch cams
- very good price / performance ratio

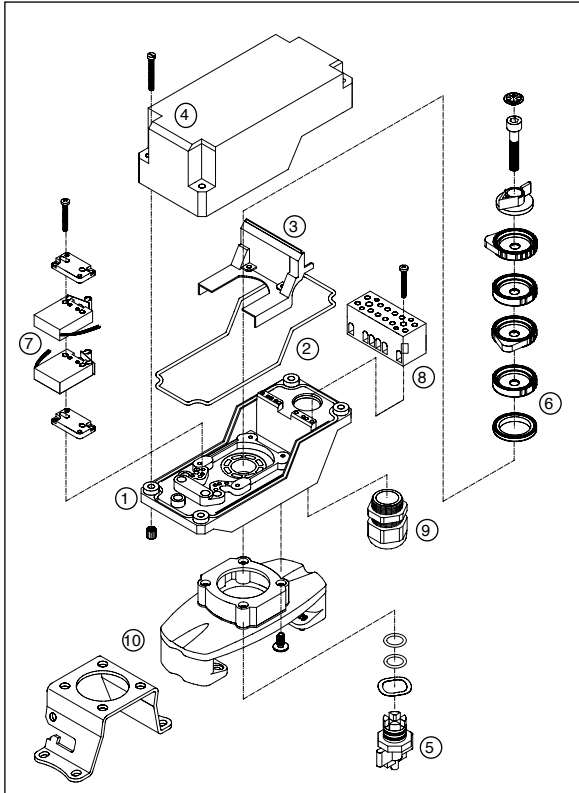
#### TECHNICAL DATA

Manufacturer:	Crouzet
Type:	83 139 1
Ingress protection of the: switch acc. to EN 50014	EEx d IIC T6
Switched power: acc. to UL + CSA	5 A, 250 V ~
Contacts:	silver-nickel
Mechanical life:	5 x 10 <sup>6</sup> operations
Sealing (housing):	EPDM 60 Shore A
Ingress protection: acc. to IEC 529 / DIN 40 050	housing: IP 65, switch: IP 67
Switching precision of the unit:	= 1.5°
Cable gland:	M20 x 1.5 (EEx e II)
Temp. range:	- 20 to + 60°C
Housing material:	Vestamid black



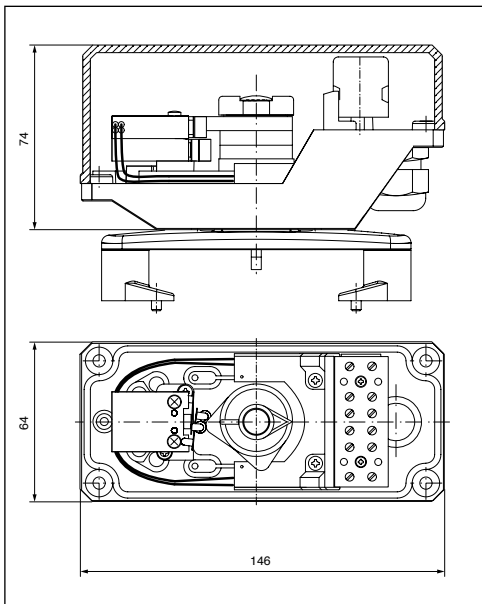
#### WIRING DIAGRAM





Pos.	Pcs.	Description	Material
1	1	Housing (base)	Vestamid
2	1	O-ring sealing	EPDM 60
3	1	Internal cover	PA + 30%GF
4	1	Housing (cover)	Vestamid
5	1	TCR-axis	POM
6	1	Switch cam system	POM
7	2	Microswitch EEx d IIC T6	-
8	1	Terminal block, 6 poles EEx e II	-
9	1	Cable gland EEx e II	-
10	1	Bracket, Size 1-4	A2 oder PA

Brackets chapter A5



## Ordering information

TCR-modul EEx ed IIC T6 (without bracket)

<b>T</b>	<b>CR</b>	<b>1</b>	<b>V</b>	<b>V</b>	<b>AZ</b>	
Type : T = TCR						
Make : Crouzet						
Type : 1 = 83.139.1 EEx d IIC T6						
Cover :						V = Vestamid A = Aluminium
Base :						V = Vestamid A = Aluminium
Display :						A = Open M = Middle Z = Closed